



يونى ستيل
UNISTEEL
Formwork & Scaffolding

V.M.C PANELS SYSTEM

WE ARE FORMING YOUR IDEAS



INTRODUCTION

- The VMC Panels is a vertical formwork system created to frame columns and walls, it is primarily directed toward residential buildings.
- This system consists a range from hand-held panels in all existing dimensions and it is very suitable where crane is not available.
- The flexibility of column cross section (5 cm grids) makes it easy to be adjusted without reassembly.
- Different horizontal and vertical dimensions can be produced upon the request of the client.
- System can carry fresh concrete pressure up to 60Kn / Sq.m

Advantages:

- Using the complete system without crane
- Fair-faced concrete surface
- Easy and fast assembly
- Panels lightness.



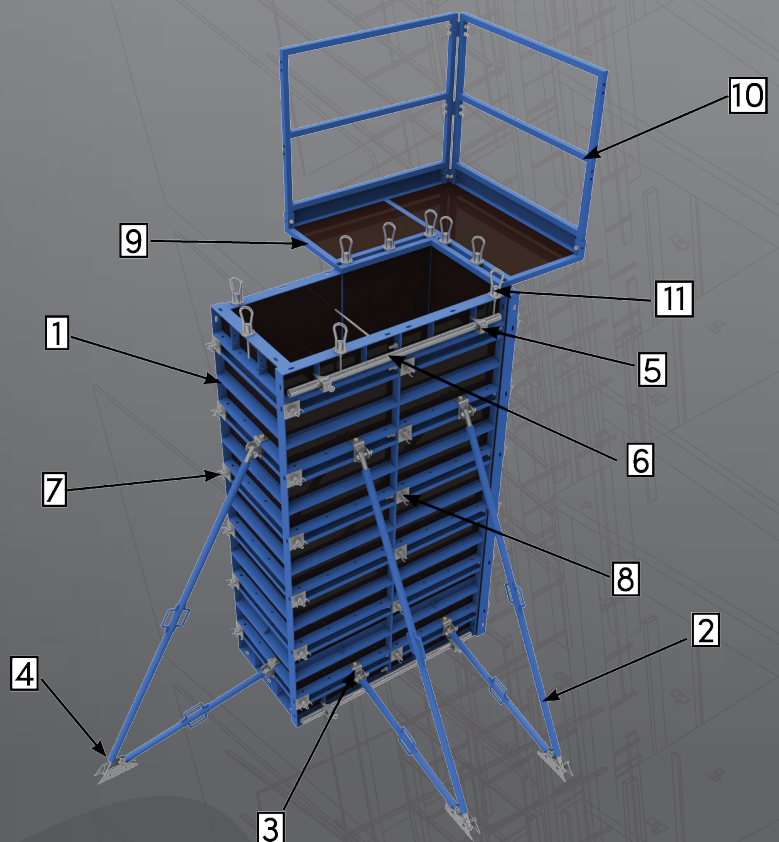
Applications:

- Raft & Foundation
- Double / Single sided walls
- Columns & Beams
- Cores & Tanks



MAIN COMPONENTS

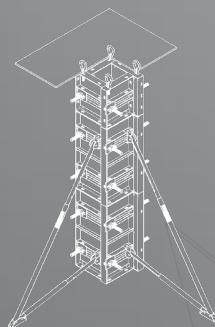
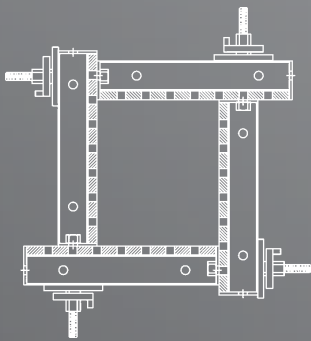
- 1) V.M.C. Panel
- 2) Push Pull Prop or Tilt Up Shore
- 3) Head Plate
- 4) Base Plate
- 5) Clip
- 6) Tube 1.5"
- 7) Tie Bolt
- 8) Tie Rod
- 9) Bracket
- 10) Handrail
- 11) Lifting Eye



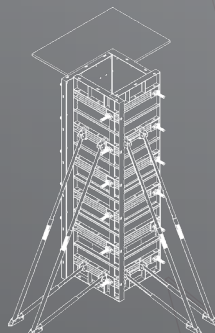
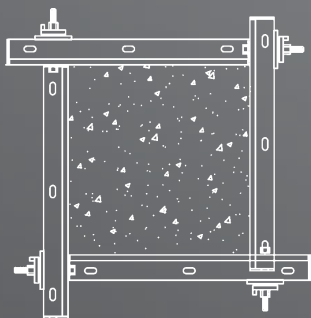
VMC PANELS

- Height range 3m, 1m & 0.5m
- Width range 0.4m, 0.6m and 0.8 m

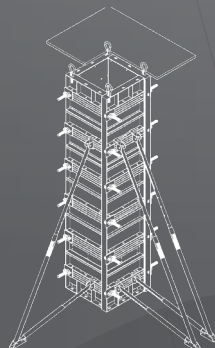
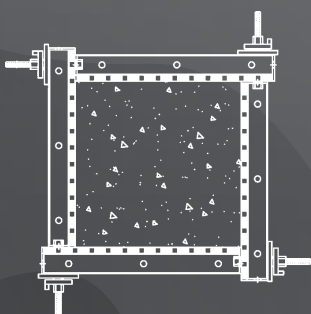
Description	Weight (kg)
VMC Panel 0.4mx0.5m	14.0
VMC Panel 0.4mx1.0m	23.0
VMC Panel 0.4mx3.0m	61.0
VMC Panel 0.6mx0.5m	19.0
VMC Panel 0.6mx1.0m	31.0
VMC Panel 0.6mx3.0m	81.0
VMC Panel 0.8mx0.5m	23.5
VMC Panel 0.8mx1.0m	39.0
VMC Panel 0.8mx3.0m	101.0



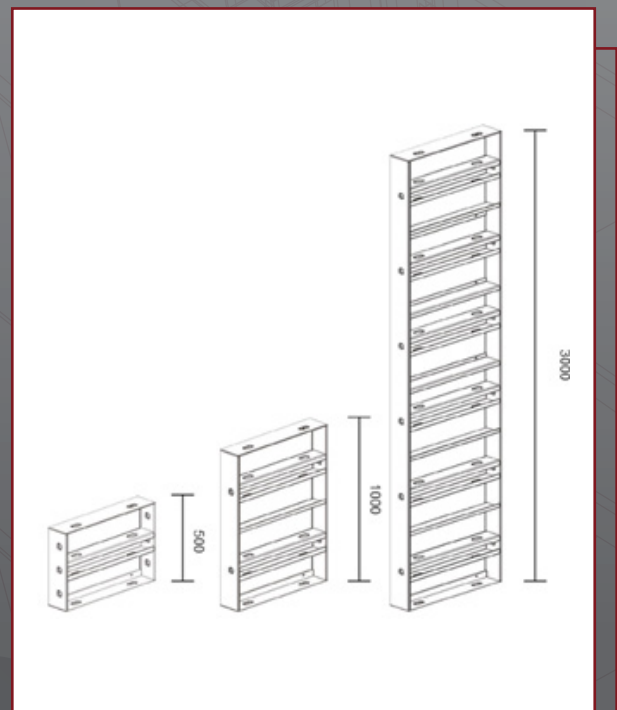
- column dimension 40 X 40 CM



- column dimension 60 X 60 CM



- column dimension 80 X 80 CM



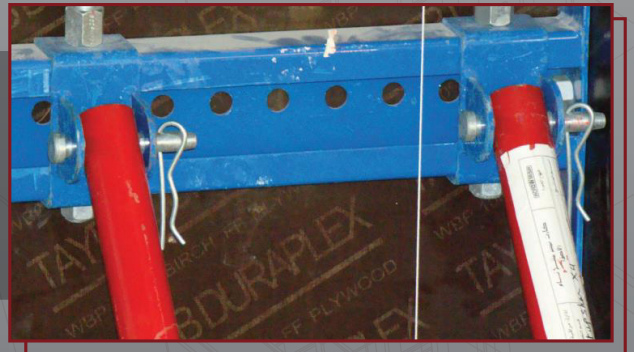
ACCESSORIES

- Captive column Tie Bolts and wing nuts are permanently attached to each element



- Bolts are used to connect panels together.

- Push Pull Prop Head is used to connect between the panels and the push pull using Rivet Pin and Spring Clip large Bolts are used to connect panel with Push Pull Prop Head



- Lifting Hooks act as load bearing points for moving and ensures easy and simple extensions

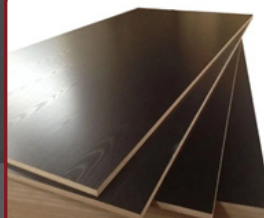
- **Cladding**

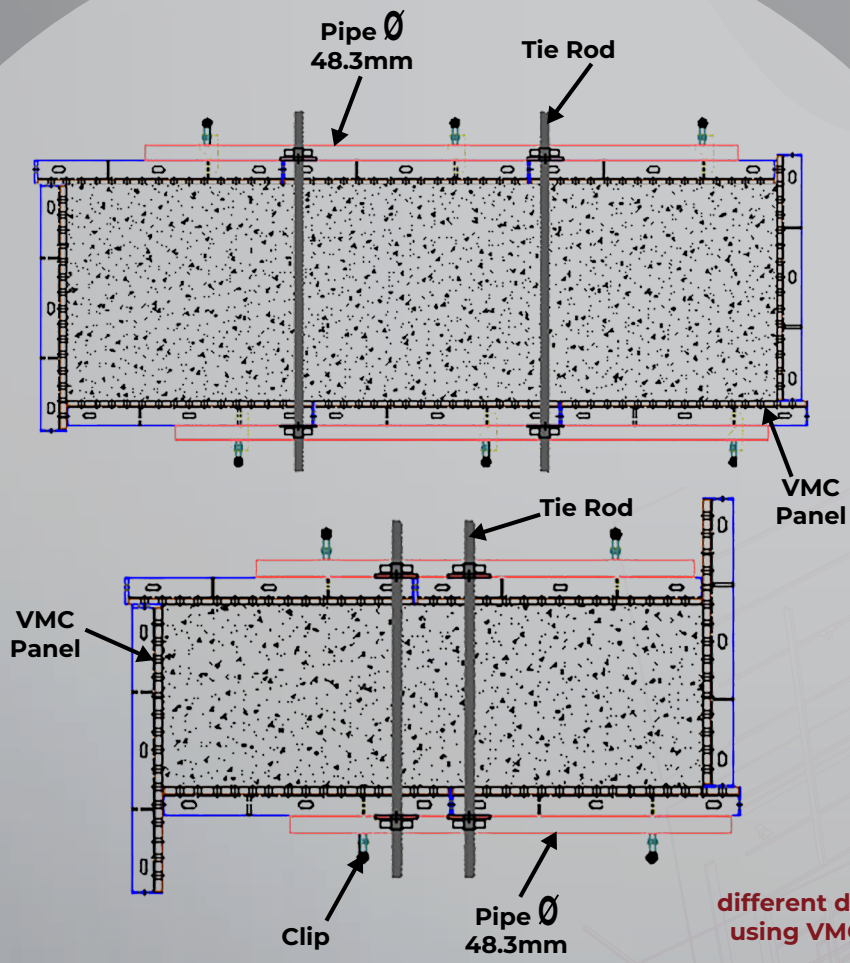
We have two types of Surface Cladding based on the client's requirements

Performance (avg. casts)

Plywood 15-20 times

PVC Board >50 times







Contact Us

✉ Info@unisteel.com.sa

🌐 www.unisteel.com.sa

📞 920000864

